



PVC-U

SCH 80 FITTINGS

EASE
OF **INSTALLATION**
MAKES PVC-U
MOST **ACCEPTABLE**
PLASTIC PIPING
SYSTEM





GENERAL PRODUCT SPECIFICATION:

The piping systems made of PVC-U material can be used for operating temperatures in the range of 0 °C to +60 °C. Thanks to outstanding chemical resistance, PVC-U piping systems withstand demanding conditions, particularly during the transport of aggressive media, such as acids, bases and salts. The PVC-U piping system is used primarily in the chemical and textile industries, in water treatment and drinking water purification as well as in building and infrastructure systems.



ADVANTAGES OF PVC-U

- Versatility of use
- Very good chemical and corrosion resistance
- Proven physiological harmlessness and therefore suitable for contact with food
- No influence on drinking water quality
- Biologically inert; no support of microbial growth
- High mechanical tensile strength
- Secure solvent cementing
- Use of tin stabilizers for fittings and valves

UV AND WEATHER RESISTANCE

PVC-U is very weather-resistant. Even longer exposure to direct sunlight, wind and rain does hardly any damage to the material. Despite its very good weather resistance to ultraviolet radiation, PVC-U loses some of its impact strength. In extreme applications, it can be advantageous to protect the material from direct sunlight exposure. Contact your HYDROPLAST representative for suitable protective measures.

CHEMICAL RESISTANCE

PVC-U shows a good resistance against a broad range of media. For detailed information, observe the comprehensive list of chemical resistance from HYDROPLAST .

APPLICATION LIMIT

The application limit of the material at hand depends on embrittlement and softening temperatures and on the other hand on the nature and expected service life of the application. The pressure temperature diagrams give details on application temperatures and pressures.



PVC-U PROPERTIES

Material Specifications	Test Method	Value	Unit of Measurement
Density	EN ISO 1183-1	1.38	g/cm ³
Yield stress at 23°C	EN ISO 527-1	≥ 54	N/mm ²
Tensile e-modules at 23°C	EN ISO 527-1	≥ 2.700	N/mm ²
Charpy notched impact strength at 23°C	EN ISO 179-1/1eA	≥ 3	kJ/m ²
Charpy notched impact strength at 0°C	EN ISO 179-1/1eA	≥ 2	kJ/m ²
Vicat-heat distortion temperature B/50N	ISO 306	≥ 76	°C
Thermal conductivity at 23°C	EN 12664	≥ 0.15	W/m K
Water absorption at 23°C	EN ISO 62	≤ 0.1	%
Limiting oxygen index (LoI)	ISO 4589-1	42	%

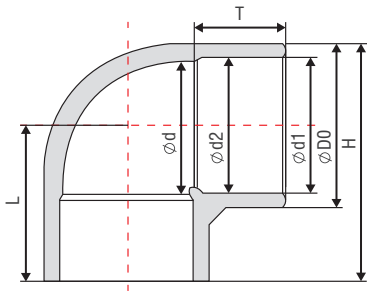
ESSENTIAL SYSTEM PROPERTIES

- Food and drinking water approvals, proven physiological harmlessness.
- First-class solution for aggressive media, such as acids, bases and salts.
- Possible compact plant construction using spigots, sockets, fittings.

ASTM- D2467

ELBOW 90°

TYPE S X S
SCH 80

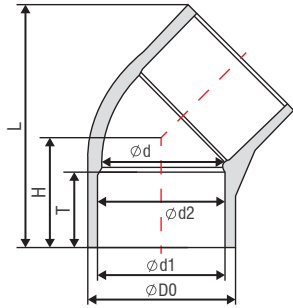


PART #	NOMINAL SIZE	UNIT OF MEASURE: MM						
		D0	d1	d2	d	T	L	H
0307GE900050HP	1/2"	30.50	21.54	21.23	17.00	23.22	36.25	51.50
0307GE900075HP	3/4"	36.90	26.87	26.57	22.50	26.40	41.40	59.85
0307GE900100HP	1"	44.70	33.66	33.27	29.00	29.57	47.10	69.45
0307GE900125HP	1 - 1/4"	54.00	42.42	42.04	38.00	32.75	55.75	82.75
0307GE900150HP	1 - 1/2"	60.60	48.56	48.11	43.00	35.93	61.95	92.25
0307GE900200HP	2	73.10	60.63	60.17	55.00	39.10	70.85	107.40
0307GE900250HP	2 - 1/2"	88.40	73.38	72.85	67.50	45.45	84.50	128.70
0307GE900300HP	3"	105.30	89.31	88.70	83.00	48.63	97.63	149.30
0307GE900400HP	4"	132.00	114.76	114.07	106.00	58.15	117.25	183.25
0307GE900500HP	5"	161.90	141.81	141.04	133.00	67.68	143.50	224.45
0307GE900600HP	6"	190.90	168.83	168.00	160.00	77.20	166.25	261.70
0307GE900800HP	8"	245.90	219.84	218.69	208.00	102.60	216.30	340.55
0307GE901000HP	10"	305.80	273.81	272.67	262.50	128.00	278.00	430.90
0307GE901200HP	12"	361.60	324.60	323.47	288.50	153.40	328.50	509.70
0307GE901400HP	14"	394.11	355.94	354.33	331.50	200.00	375.75	576.00
0307GE901600HP	16"	450.00	407.19	405.33	363.80	230.66	431.50	657.50

ASTM-D2467

ELBOW 45°

TYPE S X S
SCH 80

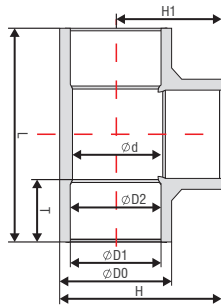


PART #	NOMINAL SIZE	UNIT OF MEASURE: MM					
		D0	d1	d2	d	T	H
0307GE450050HP	1/2"	30.50	21.54	21.23	17.00	23.22	29.72
0307GE450075HP	3/4"	35.27	26.87	26.57	22.50	26.40	34.40
0307GE450100HP	1"	43.66	33.66	33.27	29.00	29.57	37.58
0307GE450125HP	1 - 1/4"	53.02	42.42	42.04	38.00	32.75	42.75
0307GE450150HP	1 - 1/2"	59.86	48.56	48.11	43.00	35.93	47.93
0307GE450200HP	2"	72.22	60.63	60.17	55.00	39.10	55.10
0307GE450250HP	2 - 1/2"	88.00	73.38	72.85	67.50	45.45	63.50
0307GE450300HP	3"	105.30	89.31	88.70	83.00	48.63	68.63
0307GE450400HP	4"	132.00	114.76	114.07	106.00	58.15	84.15
0307GE450500HP	5"	161.90	141.81	141.04	133.00	67.68	104.55
0307GE450600HP	6"	190.90	168.83	168.00	160.00	77.20	122.20
0307GE450800HP	8"	245.90	219.84	218.69	208.00	102.60	153.80
0307GE451000HP	10"	305.20	273.80	272.67	262.50	128.00	188.00
0307GE451200HP	12"	358.15	324.60	323.47	311.00	164.30	242.80
0307GE451400HP	14"	394.11	355.94	354.33	331.50	200.00	270.94
0307GE451600HP	16"	450.00	407.19	405.33	363.80	230.66	306.81

ASTM-D2467

EQUAL TEE

TYPE S X S X S
SCH 80

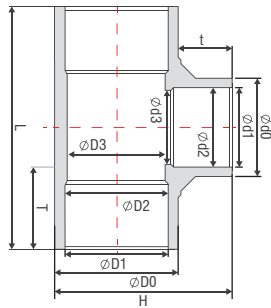


PART #	NOMINAL SIZE	UNIT OF MEASURE: MM							
		D0	D1	D2	d	T	H1	H	L
0307GTEE0050HP	1/2"	30.14	21.54	21.23	17.00	23.22	36.25	51.50	72.50
0307GTEE0075HP	3/4"	35.87	26.87	26.57	22.50	26.40	41.40	59.85	82.80
0307GTEE0100HP	1"	44.30	33.66	33.27	29.00	29.57	47.10	69.45	94.20
0307GTEE0125HP	1 - 1/4"	53.42	42.42	42.04	38.00	32.75	55.75	82.75	111.50
0307GTEE0150HP	1 - 1/2"	60.40	48.56	48.11	43.00	35.93	62.00	92.25	124.00
0307GTEE0200HP	2"	73.10	60.63	60.17	55.00	39.10	70.85	107.40	141.70
0307GTEE0250HP	2 - 1/2"	88.40	73.38	72.85	67.50	45.45	83.28	128.70	166.55
0307GTEE0300HP	3"	105.70	89.31	88.70	83.00	48.63	97.08	149.30	194.15
0307GTEE0400HP	4"	132.50	114.76	114.07	106.00	58.15	117.25	183.25	234.50
0307GTEE0500HP	5"	161.60	141.81	141.04	133.00	67.68	142.80	227.95	285.60
0307GTEE0600HP	6"	192.00	168.83	168.00	160.00	77.20	166.25	261.70	332.50
0307GTEE0800HP	8"	246.50	219.84	218.69	208.00	102.60	217.60	340.55	435.20
0307GTEE1000HP	10"	305.80	273.81	272.67	262.50	128.00	278.00	430.90	556.00
0307GTEE1200HP	12"	361.60	324.60	323.47	313.00	153.40	328.50	509.70	656.80
0307GTEE1400HP	14"	394.11	355.94	354.33	331.50	200.00	371.10	571.60	742.20
0307GTEE1600HP	16"	450.00	407.19	405.33	363.80	230.66	414.00	640.50	828.00

ASTM-D2467

REDUCING TEE

TYPE S X S X S
SCH 80



PART #	NOMINAL SIZE	UNIT OF MEASURE: MM											
		D0	D1	D2	D3	d0	d1	d2	d3	t	T	H	L
0307GRTM00750050HP	3/4 x 1/2"	35.87	26.87	26.57	22.50	30.14	21.54	21.23	17.00	23.22	26.40	38.55	82.80
0307GRTM01000050HP	1 x 1/2"	44.30	33.66	33.27	29.00	30.14	21.54	21.23	17.00	23.22	29.57	41.75	94.20
0307GRTM01000050HP	1 x 3/4"	44.30	33.66	33.27	29.00	35.87	26.87	26.57	22.50	26.40	29.57	44.60	94.20
0307GRTM01250075HP	1-1/4 x 3/4"	53.42	42.42	42.04	38.00	35.87	26.87	26.57	22.50	26.40	32.75	49.10	111.50
0307GRTM01250100HP	1-1/4 x 1"	53.42	42.42	42.04	38.00	44.30	33.66	33.27	29.00	29.57	32.75	51.60	111.50
0307GRTM01500100HP	1-1/2 x 1"	60.40	48.56	48.11	43.00	44.30	33.66	33.27	29.00	29.57	35.93	54.35	124.00
0307GRTM01500125HP	1-1/2 x 1-1/4"	60.40	48.56	48.11	43.00	53.42	42.42	42.04	38.00	32.75	35.93	58.50	124.00
0307GRTM02000125HP	2 x 1-1/4"	73.10	60.63	60.17	55.00	53.42	42.42	42.04	38.00	32.75	39.10	64.00	141.70
0307GRTM02000150HP	2 x 1-1/2"	73.10	60.63	60.17	55.00	60.40	48.56	48.11	43.00	35.93	39.10	67.45	141.70
0307GRTM02500150HP	2-1/2 x 1-1/2"	88.40	73.38	72.85	67.50	60.40	48.56	48.11	43.00	35.93	45.45	73.70	169.00
0307GRTM02500200HP	2-1/2 x 2"	88.40	73.38	72.85	67.50	73.10	60.63	60.17	55.00	39.10	45.45	77.10	169.00
0307GRTM03000200HP	3 x 2"	105.70	89.31	88.70	83.00	73.10	60.63	60.17	55.00	39.10	48.63	84.60	194.15
0307GRTM03000250HP	3 x 2-1/2"	105.70	89.31	88.70	83.00	88.40	73.38	72.85	67.50	45.45	48.63	92.00	194.15
0307GRTM04000250HP	4 x 2-1/2"	132.50	114.76	114.07	106.00	88.40	73.38	72.85	67.50	45.45	58.15	103.00	234.50
0307GRTM04000300HP	4 x 3"	132.50	114.76	114.07	106.00	105.70	89.31	88.70	83.00	48.63	58.15	107.65	234.50

PART #	NOMINAL SIZE	UNIT OF MEASURE: MM											
		D0	D1	D2	D3	d0	d1	d2	d3	t	T	H	L
0307GRTM08000400HP	8 x 4"	246.50	219.84	218.69	208.00	132.50	114.76	114.07	106.00	58.15	102.60	162.75	435.20
0307GRTM08000600HP	8 x 6"	246.50	219.84	218.69	208.00	182.00	168.83	168.00	160.00	11.20	102.60	190.25	435.20
0307GRTM10000600HP	10 x 6"	305.80	273.81	272.67	262.50	192.00	168.83	168.00	160.00	77.20	128.00	217.50	446.60
0307GRTM10000800HP	10 x 8"	305.80	273.81	272.67	262.50	246.50	219.84	218.69	208.00	102.60	128.00	245.00	496.50
0307GRTM12000800HP	12 x 8"	361.60	324.60	323.47	313.00	246.50	219.84	218.69	208.00	102.60	153.40	269.30	583.00
0307GRTM12001000HP	12 x 10"	361.60	324.60	323.47	313.00	305.80	273.81	272.67	262.50	128.00	153.40	296.80	656.80



COMBINATION TABLE OF REDUCING TEE

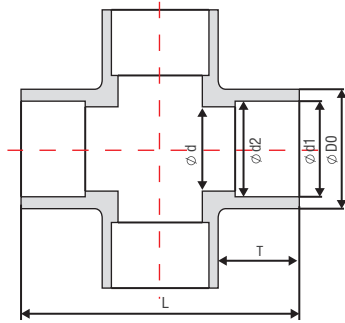
+: Tee without Bushing +B: with one Bushing +B*2: with 2 pieces of Bushing +B*3: with 3 pieces of Bushing

Main Size	Branch Size													
	1/2"	3/4"	1"	1-1/4"	1-1/2"	2"	2-1/2"	3"	4"	5"	6"	8"	10"	12"
1/2"	+													
3/4"	+B	+												
1"	+B	+B	+											
1-1/4"	+B	+B	+B	+										
1-1/2"	+B	+B	+B	+B	+									
2"	+B	+B	+B	+B*2	+B	+								
2-1/2"	+B*2	+B*2	+B*2	+B*2	+B	+B	+							
3"	+B*2	+B*2	+B*2	+B*2	+B*2	+B	+B	+						
4"	+B*2	+B*2	+B*2	+B*2	+B*2	+B	+B*2	+B	+					
5"	+B*2	+B*2	+B*2	+B*2	+B*2	+B*2	+B*2	+B*2	+B	+				
6"	-	-	+B*2	+B*3	+B*3	+B*2	+B*2	+B	+B	+B	+			
8"	-	-	-	-	-	+B*3	+B*3	+B*2	+B*2	+B*2	+B	+		
10"	-	-	-	-	-	-	-	+B*2	+B*2	-	+B*2	B	+	
12"	-	-	-	-	-	-	-	+B*3	+B*3	-	+B*2	+B*2	+B	+

ASTM-D2467

CROSS TEE

TYPE S X S X S X S
SCH 80



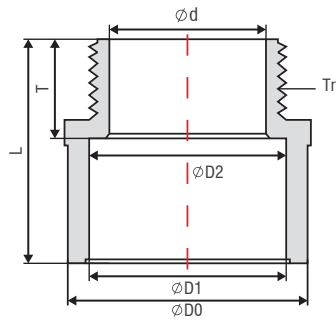
PART #	NOMINAL SIZE	UNIT OF MEASURE: MM					
		D0	d1	d2	d	T	L
0307GCRS0050HP	1/2"	29.54	21.54	21.23	17.00	23.22	72.50
0307GCRS0075HP	3/4"	35.36	26.87	26.57	22.50	26.40	82.80
0307GCRS0100HP	1"	43.66	33.66	33.27	29.00	29.57	94.20
0307GCRS0125HP	1-1/4"	53.02	42.42	42.04	38.00	32.75	111.50
0307GCRS0150HP	1-1/2"	59.86	48.56	48.11	43.00	35.93	124.00
0307GCRS0200HP	2"	72.23	60.63	60.17	55.00	39.10	143.70
0307GCRS0250HP	2-1/2"	88.00	73.38	72.85	67.50	45.45	169.00
0307GCRS0300HP	3"	105.30	89.30	88.70	83.00	48.63	193.26
0307GCRS0400HP	4"	132.00	114.76	114.07	106.00	58.15	234.50
0307GCRS0500HP	5"	162.00	141.81	141.04	133.00	67.68	287.00
0307GCRS0600HP	6"	190.85	168.83	168.00	160.00	77.20	332.50

CENIT®
PVC NSF_{pw}
D2467 SCH80

ASTM-D2467

MALE ADAPTOR

TYPE S X MT
SCH 80

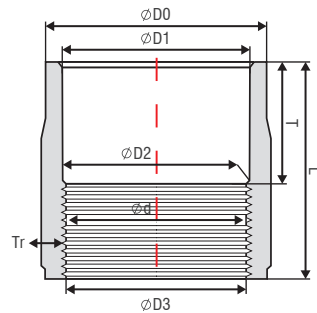


PART #	NOMINAL SIZE	UNIT OF MEASURE: MM						
		D0	D1	D2	d	T	L	Tr
0307GMAP0050HP	1/2"	29.55	21.54	21.23	11.30	23.22	41.50	1/2"
0307GMAP0075HP	3/4"	33.27	26.87	26.57	16.00	26.40	45.90	3/4"
0307GMAP0100HP	1"	42.04	33.66	33.27	21.35	29.57	51.50	1"
0307GMAP0125HP	1-1/4"	48.11	42.42	42.04	28.80	32.75	56.80	1-1/4"
0307GMAP0150HP	1-1/2"	60.17	48.56	48.11	32.50	35.93	61.50	1-1/2"
0307GMAP0200HP	2"	72.85	60.63	60.17	41.30	39.10	71.00	2"
0307GMAP0250HP	2-1/2"	88.70	73.38	72.85	55.80	45.45	82.00	2-1/2"
0307GMAP0300HP	3"	105.45	89.31	88.70	67.30	48.63	88.65	3"
0307GMAP0400HP	4"	132.00	114.76	114.07	91.60	58.15	104.65	4"

ASTM-D2467

FEMALE ADAPTOR

TYPE S X FT
SCH 80

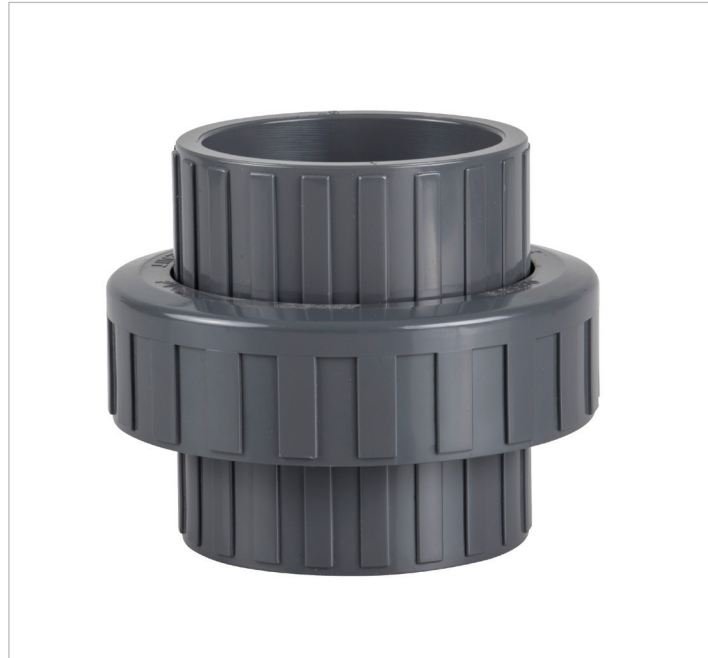
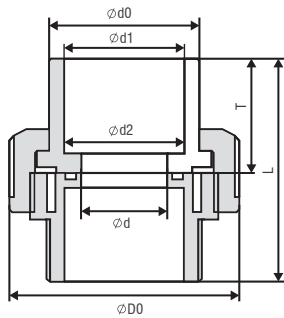


PART #	NOMINAL SIZE	UNIT OF MEASURE: MM							
		D0	D1	D2	D3	d	T	L	Tr
0307GFAP0050HP	1/2"	29.70	21.54	21.23	29.22	16.00	23.22	40.22	1/2"
0307GFAP0075HP	3/4"	35.30	26.87	26.57	34.97	20.60	26.40	44.40	3/4"
0307GFAP0100HP	1"	43.70	33.66	33.27	43.35	26.00	29.57	49.60	1"
0307GFAP0125HP	1-1/4"	53.10	42.42	42.04	52.58	36.00	32.75	55.25	1-1/4"
0307GFAP0150HP	1-1/2"	59.90	48.56	48.11	59.45	41.00	35.93	58.45	1-1/2"
0307GFAP0200HP	2"	73.10	60.63	60.17	72.10	52.00	39.10	66.60	2"
0307GFAP0250HP	2-1/2"	88.00	73.38	72.85	87.30	64.00	45.45	77.50	2-1/2"
0307GFAP0300HP	3"	105.30	89.31	88.70	104.60	78.00	48.63	83.65	3"
0307GFAP0400HP	4"	132.00	114.76	114.07	131.65	102.50	58.15	99.70	4"

ASTM-D2467

UNION

TYPE S X S
SCH 80

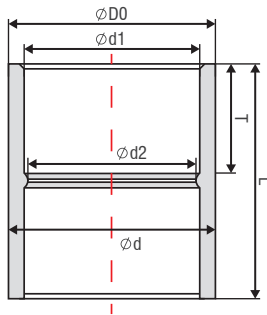


PART #	NOMINAL SIZE	UNIT OF MEASURE: MM						
		D0	d0	d1	d2	d	T	L
0317GUES0050HP	1/2"	47.00	29.54	21.54	21.23	17.00	23.22	48.20
0317GUES0075HP	3/4"	54.00	35.36	26.87	26.57	22.50	26.40	55.50
0317GUES0100HP	1"	67.00	43.66	33.65	33.27	29.00	29.57	62.10
0317GUES0125HP	1-1/4"	78.50	53.02	42.42	42.04	38.00	32.75	70.00
0317GUES0150HP	1-1/2"	93.00	59.86	48.56	48.11	43.00	35.93	80.00
0317GUES0200HP	2"	110.60	72.23	60.63	60.17	55.00	39.10	90.50
0317GUES0250HP	2-1/2"	130.60	88.00	73.38	72.85	67.50	45.45	104.00
0317GUES0300HP	3"	148.50	105.30	89.31	88.70	83.00	48.63	117.00
0317GUES0400HP	4"	173.50	132.00	114.76	114.07	106.00	58.15	136.60

ASTM-D2467

COUPLING

TYPE S X S
SCH 80

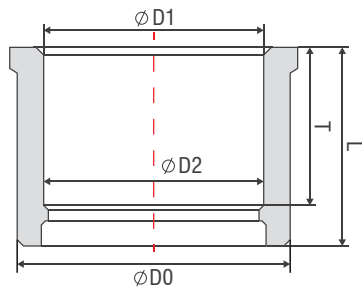


PART #	NOMINAL SIZE	UNIT OF MEASURE: MM					
		D0	d1	d2	d	T	L
0307GSCT0050HP	1/2"	30.50	21.54	21.23	17.00	23.22	50.40
0307GSCT0075HP	3/4"	36.90	26.87	26.57	22.50	26.40	56.80
0307GSCT0100HP	1"	44.70	33.66	33.27	29.00	29.57	63.10
0307GSCT0125HP	1-1/4"	54.00	42.42	42.04	38.00	32.75	69.50
0307GSCT0150HP	1-1/2"	60.60	48.56	48.11	43.00	35.93	75.80
0307GSCT0200HP	2"	73.10	60.63	60.17	55.00	39.10	82.20
0307GSCT0250HP	2-1/2"	88.40	73.38	72.85	67.50	45.45	96.00
0307GSCT0300HP	3"	105.30	89.31	88.70	83.00	48.63	102.30
0307GSCT0400HP	4"	132.00	114.76	114.07	106.00	58.15	124.00
0307GSCT0500HP	5"	161.90	141.81	141.04	133.00	67.68	144.00
0307GSCT0600HP	6"	190.90	168.83	168.00	160.00	77.20	164.40
0307GSCT0800HP	8"	245.90	219.84	218.69	208.00	102.60	215.20
0307GSCT1000HP	10"	305.80	273.81	272.67	262.50	128.00	266.00
0307GSCT1200HP	12"	360.60	324.60	323.47	313.00	153.40	316.80
0307GSCT1400HP	14"	394.11	355.94	354.33	331.50	200.00	378.00
0307GSCT1600HP	16"	450.00	407.19	405.33	363.80	230.66	420.00

ASTM-D2467

REDUCING BUSH

TYPE S X S
SCH 80



PART #	NOMINAL SIZE	UNIT OF MEASURE: MM				
		D0	D1	D2	T	L
0307GRBM00500075HP	1/2 x 3/4"	21.34	14.02	13.60	23.50	29.00
0307GRBM00500035HP	1/2 x 3/8"	21.34	17.45	17.04	23.50	29.00
0307GRBM00750050HP	3/4 x 1/2"	26.67	21.54	21.23	26.40	31.90
0307GRBM01000035HP	1 x 3/8"	33.40	17.45	17.04	29.58	35.58
0307GRBM01000050HP	1 x 1/2"	33.40	21.54	21.23	29.58	35.58
0307GRBM01000075HP	1 x 3/4"	33.40	26.87	26.57	29.58	35.58
0307GRBM01250050HP	1-1/4 x 1/2"	42.16	21.54	21.23	30.00	36.00
0307GRBM01250075HP	1-1/4 x 3/4"	42.16	26.87	26.57	30.00	36.00
0307GRBM01250100HP	1-1/4 x 1"	42.16	33.66	33.27	30.00	36.00
0307GRBM01500050HP	1-1/2 x 1/2"	48.26	21.54	21.23	35.93	41.93
0307GRBM01500075HP	1-1/2 x 3/4"	48.26	26.87	26.57	35.93	41.93
0307GRBM01500100HP	1-1/2 x 1"	48.26	33.66	33.27	35.93	41.93
0307GRBM01500125HP	1-1/2 x 1-1/4"	48.26	42.42	42.04	39.10	41.93
0307GRBM02000050HP	2 x 1/2"	60.33	21.54	21.23	39.10	45.10
0307GRBM02000075HP	2 x 3/4"	60.33	26.87	26.57	39.10	45.10
0307GRBM02000100HP	2 x 1"	60.33	33.66	33.27	39.10	45.10
0307GRBM02000125HP	2 x 1-1/4"	60.33	42.42	42.04	39.10	45.10

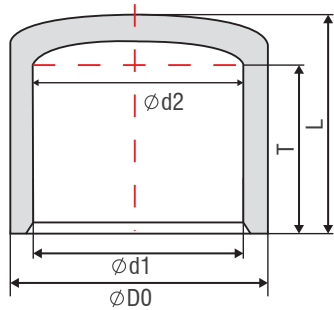


PART #	NOMINAL SIZE	UNIT OF MEASURE: MM				
		D0	D1	D2	T	L
0307GRBM02000150HP	2 x 1-1/2"	60.33	48.56	48.11	39.10	45.10
0307GRBM02500150HP	2-1/2 x 1-1/2"	70.03	48.56	48.11	45.00	51.00
0307GRBM02500200HP	2-1/2 x 2"	70.03	60.63	60.17	45.00	51.00
0307GRBM03000150HP	3 x 1-1/2"	88.90	48.56	48.11	49.00	57.00
0307GRBM03000200HP	3 x 2"	88.90	60.63	60.17	49.00	57.00
0307GRBM03000250HP	3 x 2-1/2"	88.90	48.56	48.11	49.00	57.00
0307GRBM04000200HP	4 x 2"	114.30	60.63	60.17	59.00	67.00
0307GRBM04000250HP	4 x 2-1/2"	114.30	48.56	48.11	59.00	67.00
0307GRBM04000300HP	4 x 3"	114.30	89.31	88.70	59.00	67.00
0307GRBM05000400HP	5 x 4"	114.30	114.76	114.07	69.00	79.00
0307GRBM06000300HP	6 x 3"	168.30	89.31	88.70	78.00	90.00
0307GRBM06000400HP	6 x 4"	168.30	114.76	114.07	78.00	90.00
0307GRBM06000500HP	6 x 5"	168.30	141.81	141.04	78.00	90.00
0307GRBM08000400HP	8 x 4"	219.10	114.76	114.07	103.00	115.00
0307GRBM08000600HP	8 x 6"	219.10	168.83	168.00	103.00	115.00
0307GRBM10000300HP	10 x 3"	273.05	89.31	88.70	127.00	148.00
0307GRBM10000400HP	10 x 4"	273.05	114.76	114.07	127.00	148.00
0307GRBM10000600HP	10 x 6"	273.05	168.83	168.00	127.00	148.00
0307GRBM10000800HP	10 x 8"	273.05	219.84	218.69	127.00	148.00
0307GRBM12000400HP	12 x 4"	323.85	114.76	114.07	151.00	169.00
0307GRBM12000600HP	12 x 6"	323.85	168.83	168.00	151.00	169.00
0307GRBM12000800HP	12 x 8"	323.85	219.84	218.69	151.00	169.00
0307GRBM12001000HP	12 x 10"	323.85	273.81	272.67	151.00	169.00

ASTM-D2467

END CAP

TYPE S
SCH 80

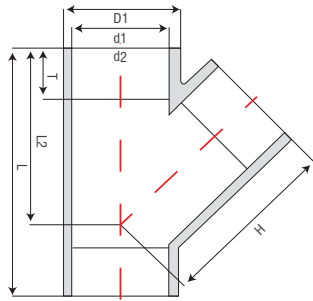


PART #	NOMINAL SIZE	UNIT OF MEASURE: MM				
		DO	d1	d2	T	L
0307GCAP0050HP	1/2"	29.54	21.54	21.23	23.22	30.80
0307GCAP0075HP	3/4"	35.31	26.87	26.57	26.40	35.13
0307GCAP0100HP	1"	43.70	33.66	33.27	29.57	40.00
0307GCAP0125HP	1-1/4"	53.05	42.42	42.04	32.75	45.00
0307GCAP0150HP	1-1/2"	59.86	48.56	48.11	35.93	49.00
0307GCAP0200HP	2"	72.23	60.63	60.17	39.10	53.95
0307GCAP0250HP	2-1/2"	87.98	73.38	72.85	45.45	64.20
0307GCAP0300HP	3"	105.30	89.31	88.70	48.63	58.00
0307GCAP0400HP	4"	132.00	114.76	114.07	58.15	81.00
0307GCAP0500HP	5"	161.80	141.81	141.04	67.68	106.50
0307GCAP0600HP	6"	190.85	168.83	168.00	77.20	119.55
0307GCAP0800HP	8"	245.85	219.84	218.69	102.60	141.70
0307GCAP1000HP	10"	305.80	273.81	272.67	128.00	186.25
0307GCAP1200HP	12"	361.60	324.60	323.47	153.40	228.00

ASTM-D2467

YEE

TYPE S X S X S
SCH 80



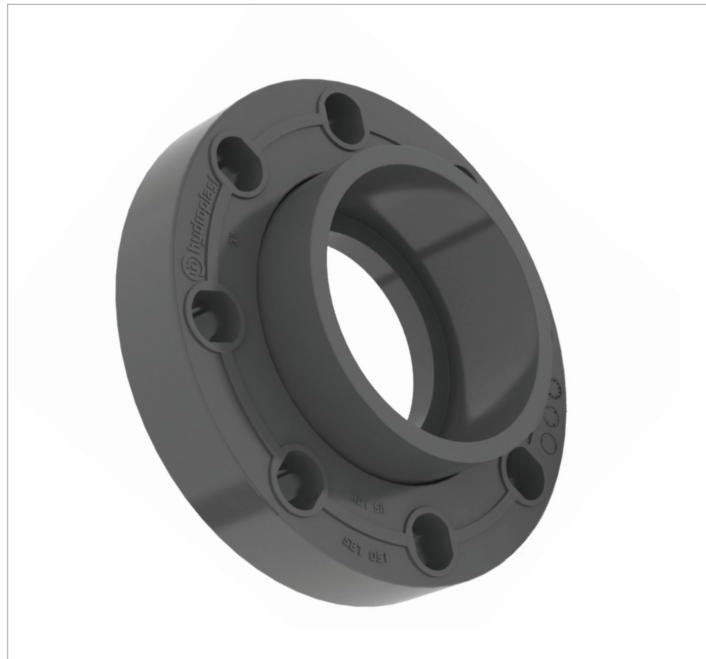
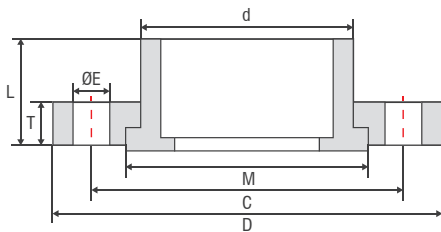
PART #	NOMINAL SIZE	UNIT OF MEASURE: MM						
		D1	d1	D2	T	L	L2	H
0307GYEE0050HP	1/2"	29.10	21.54	21.23	23.22	82.50	53.22	53.22
0307GYEE0075HP	3/4"	34.90	26.87	26.57	26.40	97.80	62.40	62.40
0307GYEE0100HP	1"	42.90	33.66	33.27	29.58	114.20	74.58	74.58
0307GYEE0125HP	1 - 1/4"	52.00	42.42	42.04	32.75	131.50	88.75	88.75
0307GYEE0150HP	1 - 1/2"	60.00	48.56	48.11	35.93	149.90	101.93	101.93
0307GYEE0200HP	2"	75.00	60.63	60.17	39.10	177.20	124.10	124.10
0307GYEE0250HP	2 - 1/2"	91.00	73.38	72.85	45.50	210.00	146.50	146.50
0307GYEE0300HP	3"	107.00	89.31	88.70	51.20	244.50	173.20	173.20
0307GYEE0400HP	4"	134.00	114.76	114.07	61.20	298.50	210.20	210.20
0307GYEE0500HP	5"	168.00	141.81	141.04	76.20	376.40	266.20	266.20
0307GYEE0600HP	6"	191.00	168.83	168.00	86.20	426.40	299.20	299.20
0307GYEE0800HP	8"	260.00	219.84	218.69	118.70	587.40	414.70	414.70

CENIT[®]
PVC NSF_{pw}
D2467 SCH80

ASTM-D2467

VANSTONE FLANGE

TYPE S X S
SCH 80



PART #	NOMINAL SIZE	UNIT OF MEASURE: MM					
		D	d	M	C	T	ØE-N
O317GFLV0050HP	1/2"	95.0	31.50	37.00	64.76	12.50	20.A2-4
O317GFLV0075HP	3/4"	100.0	36.50	42.50	71.80	13.50	18.0-4
O317GFLV0100HP	1"	118.0	44.50	51.00	85.20	15.50	21.8-4
O317GFLV0125HP	1-1/4"	128.0	53.00	61.50	95.00	17.50	22.0-4
O317GFLV0150HP	1-1/2"	140.0	62.00	71.50	105.00	18.50	22.0-4
O317GFLV0200HP	2"	158.0	75.50	86.00	120.00	20.50	24.0-4
O317GFLV0250HP	2-1/2"	180.0	92.00	100.00	137.00	23.50	21.0-4
O317GFLV0300HP	3"	192.0	109.00	119.00	153.10	25.00	23.5-8
O317GFLV0400HP	4"	230.0	135.00	151.00	184.20	27.00	24.5-8
O317GFLV0600HP	6"	280.0	195.00	206.00	240.00	31.00	24.0-8
O317GFLV0800HP	8"	342.0	250.00	268.00	298	35.00	27.0-8/23.0-12
O317GFLV1000HP	10"	410	298	327	362	42.00	24.0-8
O317GFLV1200HP	12"	489	349	384	432	44.00	24.0-8



FITTINGS
PVC-U